

Model Number System

Family Release Variant : A = 1 st., B = 2 nd., etc.

- Abbreviated Nominal Rated BTU Capacity at 60Hz.
- In this example (4) total digits, with the first two (40) indicating 4,000 BTU/Hr. capacity.

AE A 4 4 40 Y - 1

Electricity Supply Code

None - 220 - 240V/50Hz
 -1 - 115V/60Hz
 -2 - 208-230V/60Hz
 -3 - 100V/50-60Hz
 -4 - 110V/60Hz
 -5 - 127V/60Hz
 -6 - 220V/50-60Hz
 -7 - 127V/50-60Hz
 -8 - 110-115V/60Hz

3PHASE

-9 = 380-420V/50Hz , 480V/60Hz
 -XG = 380-420V/50Hz , 440-460V/60Hz
 -XT = 200-220V/50Hz , 220-230V/60Hz
 -XI = 380V/60Hz
 -XK = 480V/60Hz
 -SR = Start & Run Capacitor.

Refrigerant

A,V - R12 G - R22/R407C
 E - R22 M - R600a
 Y - R134a N - R290
 Z - R404A/R507 B - R410A

Application

- 1 = Low Back Pressure. Motor With Normal Starting Torque.
- 2 = Low Back Pressure. Motor With High Starting Torque.
- 3 = High Back Pressure. Motor With Normal Starting Torque.
- 4 = High Back Pressure. Motor With High Starting Torque.
- 5 = Air Conditioning. Motor With Normal Starting Torque.
- 6 = Medium Back Pressure. Motor With Normal Starting Torque.
- 7 = Medium Back Pressure. Motor With High Starting Torque.
- 8 = Air Conditioning (High eff.) Motor with Normal Starting Torque.
- 9 = Commercial Back Pressure. Motor with High Starting Torque.
- 0 = Commercial Back Pressure. Motor with Normal Starting Torque.

Compressor Family : AZ-AZA-AE-BA-CA-WJ-AW-KA-LA

OUR VISION : To be the leader in the motor compressor business in ASEAN

AE Series

Model	Voltage	Hz.	App.	Motor Type	Disp. (CC)	Cooling (BTU/Hr)	Cooling (W)	Input (W)	COP W/W	RLA (A)	LRA (A)	Start CAP.		Run CAP.		Dim. "A"
												MFD	VAC.	MFD	VAC.	
AE SERIES													R 134a			
220-240 V/50 Hz. (LOW BACK PRESSURE)																
AE 1360Y	220-240	50	LBP	R.S.I.R.	6.91	539	158	140	1.13	1.0	10	No	No	No	No	189
	220-240	50	LBP	R.S.C.R.	6.91	570	167	127	1.31	0.6	4	No	No	4	440	189
AE 1370Y	220-240	50	LBP	R.S.I.R.	8.12	635	186	160	1.16	1.2	13	No	No	No	No	189
	220-240	50	LBP	R.S.C.R.	8.12	682	200	152	1.32	0.8	10	No	No	6	440	189
AE 1390Y	220-240	50	LBP	R.S.I.R.	9.42	860	252	192	1.31	1.3	14	No	No	No	No	202
	220-240	50	LBP	R.S.C.R.	9.42	904	265	192	1.38	0.9	10	No	No	4	440	189
AE 1411Y	220-240	50	LBP	R.S.I.R.	14.14	1,017	298	252	1.18	2.0	22	No	No	No	No	214
AE 2340Y	220-240	50	LBP	C.S.I.R.	5.11	375	110	107	1.03	0.8	6	36-43	330	No	No	189
AE 2360Y	220-240	50	LBP	C.S.I.R.	6.91	539	158	136	1.16	1.0	7	36-43	330	No	No	189
	220-240	50	LBP	C.S.R.	6.91	539	158	119	1.33	0.5	5	36-43	330	5	440	189
AE 2370Y	220-240	50	LBP	C.S.I.R.	8.12	631	185	163	1.13	1.2	7	36-43	330	No	No	189
	220-240	50	LBP	C.S.R.	8.12	631	185	143	1.29	0.7	7	36-43	330	5	440	189
AE 2390Y	220-240	50	LBP	C.S.I.R.	9.42	809	237	205	1.16	1.4	9	36-43	330	No	No	202
	220-240	50	LBP	C.S.R.	9.42	819	240	178	1.35	0.9	7	36-43	330	5	440	202
AEA 2410Y	220-240	50	LBP	C.S.I.R.	12.05	921	270	226	1.19	2.0	12	36-43	330	No	No	214
AEA 2413Y	220-240	50	LBP	C.S.I.R.	14.14	1,126	330	280	1.18	2.0	13	36-43	330	No	No	214
AEA 2415Y	220-240	50	LBP	C.S.R.	16.08	1,262	370	280	1.32	1.3	12	36-43	330	8	450	214
AE 2417Y	220-240	50	LBP	C.S.R.	18.00	1,365	400	325	1.23	1.7	16	36-43	330	10	440	214
115 V/60 Hz. (LOW BACK PRESSURE)																
AE 1350Y-1	115	60	LBP	R.S.I.R.	5.99	546	160	148	1.08	2.2	23	No	No	No	No	181
AE 1360Y-1	115	60	LBP	R.S.I.R.	6.91	645	189	170	1.11	2.4	22	No	No	No	No	189
208-230 V/60 Hz. (LOW BACK PRESSURE)																
AE 1360Y-2	208-230	60	LBP	R.S.I.R.	6.91	648	190	162	1.17	1.1	12	No	No	No	No	189
AE 1370Y-2	208-230	60	LBP	R.S.I.R.	8.12	717	210	184	1.14	1.3	17	No	No	No	No	189
AE 1390Y-2	208-230	60	LBP	R.S.I.R.	9.42	955	280	235	1.19	1.7	18	No	No	No	No	202
AE 2370Y-2	208-230	60	LBP	C.S.R.	8.12	751	220	170	1.29	0.8	8	36-43	330	5	440	189
AE 2390Y-2	208-230	60	LBP	C.S.I.R.	9.42	955	280	236	1.19	1.7	13	36-43	330	No	No	202
AE 2410Y-2	208-230	60	LBP	C.S.I.R.	14.14	1,065	312	307	1.02	2.5	16	36-43	330	No	No	214
AE 2413Y-2	208-230	60	LBP	C.S.R.	16.08	1,269	372	349	1.07	1.8	19	36-43	330	8	450	214
100 V/50-60 Hz. (LOW BACK PRESSURE)																
AE 2360Y-3	100	50	LBP	C.S.R.	6.91	597	175	155	1.13	2.0	17	36-43	250	15	440	189
	100	60	LBP	C.S.R.	6.91	682	200	183	1.09	1.9	15	36-43	250	15	440	189
AE 2370Y-3	100	50	LBP	C.S.R.	8.12	710	208	180	1.16	2.2	17	36-43	250	15	440	189
	100	60	LBP	C.S.R.	8.12	809	237	216	1.10	2.2	15	36-43	250	15	440	189
AE 2390Y-3	100	50	LBP	C.S.R.	9.42	819	240	196	1.22	2.7	27	108-130	250	15	440	189
	100	60	LBP	C.S.R.	9.42	955	280	230	1.22	2.5	23	108-130	250	15	440	189
110 V/60 Hz. (LOW BACK PRESSURE)																
AE 1327Y-4	110	60	LBP	R.S.I.R.	3.90	276	81	89	0.91	1.3	16	No	No	No	No	172
AE 1330Y-4	110	60	LBP	R.S.I.R.	4.08	317	93	95	0.98	1.6	16	No	No	No	No	172
AE 1340Y-4	110	60	LBP	R.S.I.R.	5.11	450	132	126	1.05	1.8	17	No	No	No	No	189
AE 2411Y-4	110	60	LBP	C.S.R.	14.14	1,109	325	275	1.18	2.8	28	108-130	250	15	440	214
127 V/60 Hz. (LOW BACK PRESSURE)																
AE 1350Y-5	127	60	LBP	R.S.I.R.	5.99	546	160	148	1.08	2.0	16	No	No	No	No	189
220 V/50-60 Hz. (LOW BACK PRESSURE)																
AE 1390Y-6	220	50	LBP	R.S.I.R.	9.42	870	255	203	1.26	1.6	17	No	No	No	No	202
	220	60	LBP	R.S.I.R.	9.42	1,013	297	236	1.26	1.5	15	No	No	No	No	202
220-240 V/50 Hz. (COMMERCIAL BACK PRESSURE)																
AE 0412Y	220-240	50	CBP	R.S.I.R.	5.99	1,075	315	201	1.57	1.5	14	No	No	No	No	189
	220-240	50	HBP	R.S.I.R.	5.99	1,955	573	259	2.21	1.7	14	No	No	No	No	189
AE 9437Y	220-240	50	CBP	C.S.R.	18.00	3,139	920	532	1.73	2.6	16	36-43	330	10	440	214
	220-240	50	HBP	C.S.R.	18.00	5,732	1,680	730	2.30	3.5	16	36-43	330	10	440	214
110 V/60 Hz. (COMMERCIAL BACK PRESSURE)																
AE 0412Y-4	110	60	CBP	R.S.I.R.	5.99	1,300	381	237	1.61	3.0	22	No	No	No	No	189
	110	60	HBP	R.S.I.R.	5.99	2,334	684	314	2.18	3.6	22	No	No	No	No	189
208-230 V/60 Hz. (COMMERCIAL BACK PRESSURE)																
AE 0412Y-2	208-230	60	CBP	R.S.I.R.	5.99	1,259	369	229	1.61	1.4	13	No	No	No	No	189
	208-230	60	HBP	R.S.I.R.	5.99	2,283	669	307	2.18	1.7	13	No	No	No	No	189
AE 9423Y-2	208-230	60	CBP	C.S.R.	12.05	2,327	682	396	1.72	1.9	13	36-43	330	8	450	202
	208-230	60	HBP	C.S.R.	12.05	4,333	1,270	560	2.27	2.6	13	36-43	330	8	450	202
AE 9437Y-2	208-230	60	CBP	C.S.R.	18.00	3,429	1,005	635	1.58	3.0	17	36-43	330	10	440	214
	208-230	60	HBP	C.S.R.	18.00	6,653	1,950	870	2.24	4.2	17	36-43	330	10	440	214

AE Series

Model	Voltage	Hz.	App.	Motor Type	Disp. (CC)	Cooling (BTU/Hr)	Cooling (W)	Input (W)	COP W/W	RLA (A)	LRA (A)	Start CAP.		Run CAP.		Dim. "A"
												MFD	VAC.	MFD	VAC.	
AE SERIES																
R134a																
220-240 V/50 Hz. (MEDIUM BACK PRESSURE)																
AE 6412Y	220-240	50	MBP	R.S.I.R.	5.99	1,061	311	193	1.61	1.2	12	No	No	No	No	189
AE 7415Y	220-240	50	MBP	C.S.I.R.	7.55	1,259	369	250	1.48	1.8	12	36-43	330	No	No	189
AE 7423Y	220-240	50	MBP	C.S.I.R.	12.05	1,958	574	361	1.59	2.3	19	36-43	330	No	No	202
AE 7426Y	220-240	50	MBP	C.S.I.R.	14.14	2,184	640	425	1.51	2.5	13	36-43	330	No	No	214
AE 7430Y	220-240	50	MBP	C.S.R.	16.08	2,542	745	455	1.64	2.2	13	36-43	330	8	450	214
208-230 V/60 Hz. (MEDIUM BACK PRESSURE)																
AE 7423Y-2	208-230	60	MBP	C.S.I.R.	12.05	2,286	670	438	1.53	12.6	3	36-43	330	No	No	202
AE 7425Y-2	208-230	60	MBP	C.S.I.R.	14.14	2,525	740	497	1.49	19.5	3	36-43	330	No	No	214
AE 7430Y-2	208-230	60	MBP	C.S.R.	16.08	2,955	866	530	1.63	2.6	17	36-43	330	8	450	214
110 V/60 Hz. (MEDIUM BACK PRESSURE)																
AE 7423Y-4	110	60	MBP	C.S.I.R.	12.05	2,286	670	435	1.54	5.1	25	120	250	No	No	202
220-240 V/50 Hz. (HIGH BACK PRESSURE)																
AE 3414Y	220-240	50	HBP	R.S.I.R.	4.49	1,262	370	223	1.66	1.3	8	No	No	No	No	172
AE 3417Y	220-240	50	HBP	R.S.I.R.	5.68	1,706	500	245	2.04	1.6	12	No	No	No	No	189
AE 3425Y	220-240	50	HBP	R.S.I.R.	7.55	2,491	730	342	2.13	2.2	14	No	No	No	No	189
AE 3430Y	220-240	50	HBP	R.S.I.R.	8.86	2,900	850	395	2.15	2.5	22	No	No	No	No	189
AE 3435Y	220-240	50	HBP	R.S.I.R.	9.42	3,044	892	427	2.09	2.7	21	No	No	No	No	189
AE 3440Y	220-240	50	HBP	R.S.I.R.	12.05	3,634	1,065	511	2.08	3.0	11	No	No	No	No	202
AE 3448Y	220-240	50	HBP	R.S.I.R.	14.14	4,094	1,200	595	2.02	3.5	29	No	No	No	No	214
AE 4414Y	220-240	50	HBP	C.S.I.R.	4.49	1,262	370	223	1.66	1.3	5	36-43	330	No	No	181
AE 4425Y	220-240	50	HBP	C.S.I.R.	7.55	2,388	700	327	2.14	2.2	11	36-43	330	No	No	189
AE 4430Y	220-240	50	HBP	C.S.I.R.	8.86	2,798	820	390	2.10	2.5	12	36-43	330	No	No	189
	220-240	50	HBP	C.S.R.	8.86	2,716	796	339	2.35	1.6	10	36-43	330	8	450	189
AE 4435Y	220-240	50	HBP	C.S.I.R.	9.42	3,078	902	440	2.05	2.7	14	36-43	330	No	No	189
AE 4440Y	220-240	50	HBP	C.S.I.R.	12.05	3,668	1,075	505	2.13	3.1	15	36-43	330	No	No	202
	220-240	50	HBP	C.S.R.	12.05	3,668	1,075	456	2.36	2.2	11	36-43	330	8	450	202
AE 4448Y	220-240	50	HBP	C.S.I.R.	14.14	4,060	1,190	575	2.07	3.5	24	36-43	330	No	No	214
	220-240	50	HBP	C.S.R.	14.14	4,163	1,220	520	2.35	2.4	12	36-43	330	12	440	214
AE 4459Y	220-240	50	HBP	C.S.R.	16.08	4,947	1,450	660	2.20	3.0	16	36-43	330	15	440	214
115 V/60 Hz. (HIGH BACK PRESSURE)																
AE 3425Y-1	115	60	HBP	R.S.I.R.	7.55	2,736	802	401	2.00	4.3	23	No	No	No	No	189
AE 4425Y-1	115	60	HBP	C.S.I.R.	7.55	2,798	820	419	1.96	5.5	24	108-130	250	No	No	189
AE 4430Y-1	115	60	HBP	C.S.R.	8.86	3,293	965	432	2.23	3.9	23	108-130	250	30	440	189
AE 4440Y-1	115	60	HBP	C.S.R.	12.05	4,006	1,174	591	1.99	6.2	35	108-130	250	20	440	202
AE 4448Y-1	115	60	HBP	C.S.R.	14.14	4,968	1,456	682	2.13	6.7	42	108-130	250	20	440	214
208-230 V/60 Hz. (HIGH BACK PRESSURE)																
AE 3414Y-2	208-230	60	HBP	R.S.I.R.	4.49	1,570	460	253	1.82	1.7	16	No	No	No	No	181
AE 3417Y-2	208-230	60	HBP	R.S.I.R.	5.68	1,945	570	295	1.93	1.7	12	No	No	No	No	189
AE 3425Y-2	208-230	60	HBP	R.S.I.R.	7.57	2,764	810	392	2.07	2.3	13	No	No	No	No	189
AE 3430Y-2	208-230	60	HBP	R.S.I.R.	8.86	3,207	940	461	2.04	2.8	19	No	No	No	No	201
AE 4425Y-2	208-230	60	HBP	C.S.I.R.	7.55	2,753	807	390	2.07	2.3	13	36-43	330	No	No	189
AE 4430Y-2	208-230	60	HBP	C.S.I.R.	8.86	3,207	940	475	1.98	2.8	16	36-43	330	No	No	201
	208-230	60	HBP	C.S.R.	8.86	3,320	973	436	2.23	2.0	15	36-43	330	8	450	189
AE 4440Y-2	208-230	60	HBP	C.S.I.R.	12.05	4,197	1,230	610	2.02	3.5	15	36-43	330	No	No	202
	208-230	60	HBP	C.S.R.	12.05	4,333	1,270	560	2.27	2.6	13	36-43	330	8	450	202
AE 4448Y-2	208-230	60	HBP	C.S.R.	14.14	4,784	1,402	627	2.24	3.0	16	36-43	330	10	440	214
AE 4459Y-2	208-230	60	HBP	C.S.R.	16.08	5,613	1,645	774	2.13	3.6	18	36-43	330	15	440	214
100 V/50-60 Hz. (HIGH BACK PRESSURE)																
AE 4425Y-3	100	50	HBP	C.S.I.R.	7.57	2,395	702	356	1.97	5.8	26	108-130	250	No	No	189
	100	60	HBP	C.S.I.R.	7.57	2,832	830	393	2.11	5.2	24	108-130	250	No	No	189
AE 4430Y-3	100	50	HBP	C.S.I.R.	8.86	2,798	820	412	1.99	6.0	26	108-130	250	No	No	189
	100	60	HBP	C.S.I.R.	8.86	3,207	940	475	1.98	5.9	24	108-130	250	No	No	189
AE 4440Y-3	100	50	HBP	C.S.I.R.	12.05	3,670	1,075	560	1.92	8.0	37	130-156	330	No	No	202
	100	60	HBP	C.S.I.R.	12.05	4,250	1,245	620	2.01	7.7	37	130-156	330	No	No	202
AE 4448Y-3	100	50	HBP	C.S.R.	14.14	4,367	1,280	570	2.25	6.4	24	130-156	330	35	440	214
	100	60	HBP	C.S.R.	14.14	4,879	1,430	695	2.06	7.0	23	130-156	330	35	440	214
110 V/60 Hz. (HIGH BACK PRESSURE)																
AE 3414Y-4	110	60	HBP	R.S.I.R.	4.49	1,597	468	246	1.90	2.8	17	No	No	No	No	172
AE 4425Y-4	110	60	HBP	C.S.I.R.	7.55	2,791	818	410	2.00	5.3	24	108-130	250	No	No	189
AE 4430Y-4	110	60	HBP	C.S.I.R.	8.86	3,272	959	490	1.96	5.9	30	108-130	250	No	No	189
	110	60	HBP	C.S.R.	8.86	3,293	965	432	2.23	3.9	23	108-130	250	30	440	189
AE 4440Y-4	110	60	HBP	C.S.R.	12.05	4,333	1,270	560	2.27	5.1	14	108-130	250	30	440	202
AE 4448Y-4	110	60	HBP	C.S.R.	14.14	4,947	1,450	652	2.22	6.5	32	108-130	250	20	440	214
220 V/50-60 Hz. (HIGH BACK PRESSURE)																
AE 3425Y-6	220	50	HBP	R.S.I.R.	7.57	2,423	710	343	2.07	2.5	18	No	No	No	No	189
	220	60	HBP	R.S.I.R.	7.57	2,849	835	396	2.11	2.4	17	No	No	No	No	189
AE 4430Y-6	220	50	HBP	C.S.R.	8.86	2,716	796	339	2.35	1.6	10	36-43	330	8	450	189
	220	60	HBP	C.S.R.	8.86	3,276	960	416	2.31	1.9	10	36-43	330	8	450	189
AE 4440Y-6	220	50	HBP	C.S.R.	12.05	3,668	1,075	456	2.36	2.2	11	36-43	330	8	450	202
	220	60	HBP	C.S.R.	12.05	4,357	1,277	550	2.32	2.5	11	36-43	330	8	450	202

AE Series

Model	Voltage	Hz.	App.	Motor Type	Disp. (CC)	Cooling (BTU/Hr)	Cooling (W)	Input (W)	COP W/W	RLA (A)	LRA (A)	Start CAP.		Run CAP.		Dim. "A"
												MFD	VAC.	MFD	VAC.	
AE SERIES												R 22				
<i>220-240 V/50 Hz. (COMMERCIAL BACK PRESSURE)</i>																
AE 9422EK	220-240	50	MBP	C.S.I.R.	7.57	2,030	595	417	1.43	2.3	15	36-43	330	No	No	189
<i>220-240 V/50 Hz. (MEDIUM BACK PRESSURE)</i>																
AE 6412EK	220-240	50	MBP	R.S.I.R.	4.49	989	290	240	1.21	1.4	11	No	No	No	No	189
AE 7415EK	220-240	50	MBP	C.S.I.R.	5.48	1,262	370	310	1.19	2.1	12	36-43	250	No	No	189
AE 7422EK	220-240	50	MBP	C.S.I.R.	7.55	1,877	550	420	1.31	2.4	12	36-43	330	No	No	189
AE 7426EK	220-240	50	MBP	C.S.I.R.	8.85	2,184	640	480	1.33	2.7	13	36-43	330	No	No	201
AE 7435EK	220-240	50	MBP	C.S.R.	12.04	2,968	870	550	1.58	2.5	13	36-43	330	8	440	214
AE 7440EK	220-240	50	MBP	C.S.R.	14.14	3,446	1,010	660	1.53	3.0	13	36-43	330	12	440	214
AE 7445EK	220-240	50	MBP	C.S.R.	16.08	3,798	1,113	801	1.39	3.7	16	36-43	330	15	440	214
<i>208-230 V/60 Hz. (MEDIUM BACK PRESSURE)</i>																
AE 7415EK-2	208-230	60	MBP	C.S.I.R.	5.48	1,467	430	360	1.19	2.4	13	36-43	330	No	No	189
AE 7422EK-2	208-230	60	MBP	C.S.I.R.	7.57	2,238	656	490	1.34	2.9	16	36-43	330	No	No	189
AE 7426EK-2	208-230	60	MBP	C.S.I.R.	8.85	2,678	785	577	1.36	3.3	16	36-43	330	No	No	201
AE 7435EK-2	208-230	60	MBP	C.S.R.	12.04	3,361	985	689	1.43	3.3	16	36-43	330	8	450	214
AE 7440EK-2	208-230	60	MBP	C.S.R.	14.14	4,002	1,173	793	1.48	3.6	17	36-43	330	15	440	214
<i>110 V/60 Hz. (MEDIUM BACK PRESSURE)</i>																
AE 6412EK-4	110	60	MBP	R.S.I.R.	4.49	1,280	375	300	1.25	3.7	23	No	No	No	No	189
AE 7415EK-4	110	60	MBP	C.S.I.R.	5.48	1,484	435	408	1.07	5.1	33	108-130	250	No	No	189
AE 7422EK-4	110	60	MBP	C.S.I.R.	7.55	2,228	653	502	1.30	6.1	30	108-130	250	No	No	189
	110	60	MBP	C.S.R.	7.55	2,252	660	475	1.39	5.2	26	108-130	250	10	440	189
AE 7426EK-4	110	60	MBP	C.S.R.	8.85	2,784	816	550	1.48	5.3	32	108-130	250	20	440	201
<i>220-240 V/50 Hz. (HIGH BACK PRESSURE)</i>																
AE 3422EK	220-240	50	HBP	R.S.I.R.	4.49	1,887	553	321	1.72	2.2	9	No	No	No	No	189
AE 4422EK	220-240	50	HBP	C.S.I.R.	4.49	1,924	564	357	1.58	2.2	9	36-43	330	No	No	189
AE 4430EK	220-240	50	HBP	C.S.R.	6.92	2,907	852	467	1.82	2.3	15	36-43	330	8	450	202
AE 4440EK	220-240	50	HBP	C.S.R.	7.57	3,412	1,000	453	2.21	2.2	13	36-43	330	8	450	214
AE 4448EK	220-240	50	HBP	C.S.R.	8.85	3,999	1,172	560	2.09	2.7	13	36-43	330	8	450	202
AE 4474EK	220-240	50	HBP	C.S.R.	14.14	6,142	1,800	840	2.14	4.0	19	36-43	330	15	440	214
AE 5448EK	220-240	50	HBP	C.S.R.	8.85	3,999	1,172	560	2.09	2.7	13	36-43	330	8	450	202
<i>208-230 V/60 Hz. (HIGH BACK PRESSURE)</i>																
AE 4430EK-2	208-230	60	HBP	C.S.R.	6.92	3,207	940	585	1.61	2.9	16	36-43	330	8	450	202
AE 4440EK-2	208-230	60	HBP	C.S.R.	7.55	4,094	1,200	568	2.11	2.8	17	36-43	330	8	450	202
AE 4448EK-2	208-230	60	HBP	C.S.R.	8.86	4,606	1,350	725	1.86	3.5	16	36-43	330	8	450	202
AE 4474EK-2	208-230	60	HBP	C.S.R.	14.14	7,387	2,165	1,070	2.02	5.1	21	36-43	330	15	440	214
AE 5462EK-2	208-230	60	HBP	P.S.C.	14.14	7,387	2,165	1,070	2.02	5.1	21	No	No	15	440	214
<i>110 V/60 Hz. (HIGH BACK PRESSURE)</i>																
AE 3422EK-4	110	60	HBP	R.S.I.R.	4.49	2,201	645	400	1.61	5.0	31	No	No	No	No	189
AE 4430EK-4	110	60	HBP	C.S.R.	6.92	3,276	960	600	1.60	5.5	33	108-130	250	20	440	202
AE 4440EK-4	110	60	HBP	C.S.R.	7.55	4,248	1,245	595	2.09	6.4	34	108-130	250	15	440	202
AE 4448EK-4	110	60	HBP	C.S.R.	8.85	4,999	1,465	727	2.02	7.0	37	108-130	250	20	440	202
AE SERIES												R 404A/R 507				
<i>220-240 V/50 Hz. (LOW BACK PRESSURE)</i>																
AE 2410ZK	220-240	50	LBP	C.S.I.R.	5.99	921	270	239	1.13	1.5	9	36-43	330	No	No	189
	220-240	50	LBP	C.S.R.	5.99	969	284	213	1.33	1.0	11	36-43	330	5	440	189
AE 2413ZK	220-240	50	LBP	C.S.I.R.	6.91	1,109	325	284	1.14	2.0	11	36-43	330	No	No	189
AE 2416ZK	220-240	50	LBP	C.S.I.R.	8.86	1,399	410	352	1.16	2.3	13	36-43	330	No	No	202
	220-240	50	LBP	C.S.R.	8.86	1,399	410	303	1.35	1.4	12	36-43	330	8	440	189
AE 2420ZK	220-240	50	LBP	C.S.R.	12.05	1,699	498	370	1.35	1.8	11	36-43	330	8	440	202
AE 2425ZK	220-240	50	LBP	C.S.R.	14.14	2,092	613	488	1.26	2.7	16	36-43	330	8	450	214
AE 2428ZK	220-240	50	LBP	C.S.R.	16.08	2,388	700	560	1.25	2.9	16	36-43	330	8	450	214
AE 2432ZK	220-240	50	LBP	C.S.R.	18.00	2,640	774	660	1.17	3.3	21	36-43	330	15	440	214

AE Series

Model	Voltage	Hz.	App.	Motor Type	Disp. (CC)	Cooling (BTU/Hr)	Cooling (W)	Input (W)	COP W/W	RLA (A)	LRA (A)	Start CAP.		Run CAP.		Dim. "A"
												MFD	VAC.	MFD	VAC.	

AE SERIES

R 404A/R 507

208-230 V/60 Hz. (LOW BACK PRESSURE)

AE 2410ZK-2	208-230	60	LBP	C.S.I.R.	5.99	1,153	338	278	1.22	1.9	14	36-43	330	No	No	189
	208-230	60	LBP	C.S.R.	5.99	1,153	338	262	1.29	1.3	12	36-43	330	4	440	189
AE 2413ZK-2	208-230	60	LBP	C.S.I.R.	6.91	1,307	383	323	1.19	1.2	12	36-43	330	No	No	189
	208-230	60	LBP	C.S.R.	6.91	1,331	390	300	1.30	1.5	12	36-43	330	4	440	189
AE 2416ZK-2	208-230	60	LBP	C.S.R.	8.12	1,580	463	348	1.33	1.7	16	36-43	330	5	440	189
AE 2420ZK-2	208-230	60	LBP	C.S.R.	12.05	1,962	575	475	1.21	2.2	17	36-43	330	10	440	214
AE 2425ZK-2	208-230	60	LBP	C.S.R.	14.14	2,286	670	546	1.23	2.6	27	36-43	330	12	440	214
AE 2428ZK-2	208-230	60	LBP	C.S.R.	16.08	2,730	800	656	1.22	3.2	20	36-43	330	12	440	214

100 V/50-60 Hz. (LOW BACK PRESSURE)

AE 2410ZK-3	100	50	LBP	C.S.I.R.	5.99	969	284	280	1.01	5.0	27	108-130	250	No	No	189
	100	60	LBP	C.S.I.R.	5.99	1,136	333	295	1.13	4.2	23	108-130	250	No	No	189
AE 2413ZK-3	100	50	LBP	C.S.I.R.	6.91	1,109	325	358	0.91	6.1	27	108-130	250	No	No	189
	100	60	LBP	C.S.I.R.	6.91	1,314	385	360	1.07	5.0	24	108-130	250	No	No	189

AE SERIES

R 407C

220-240 V/50 Hz. (MEDIUM BACK PRESSURE)

AE 7445GK	220-240	50	MBP	C.S.R.	16.08	3,798	1,113	801	1.39	4.0	16	36-43	330	15	440	214
AE 7457GK	220-240	50	MBP	C.S.R.	18.00	4,367	1,280	880	1.45	4.3	21	36-43	330	15	440	214

220-240 V/50 Hz. (HIGH BACK PRESSURE)

AE 5462GK	220-240	50	HBP	P.S.C.	14.14	5,906	1,731	804	2.15	3.8	18	No	No	15	440	214
-----------	---------	----	-----	--------	-------	-------	-------	-----	------	-----	----	----	----	----	-----	-----

208-230 V/60 Hz. (HIGH BACK PRESSURE)

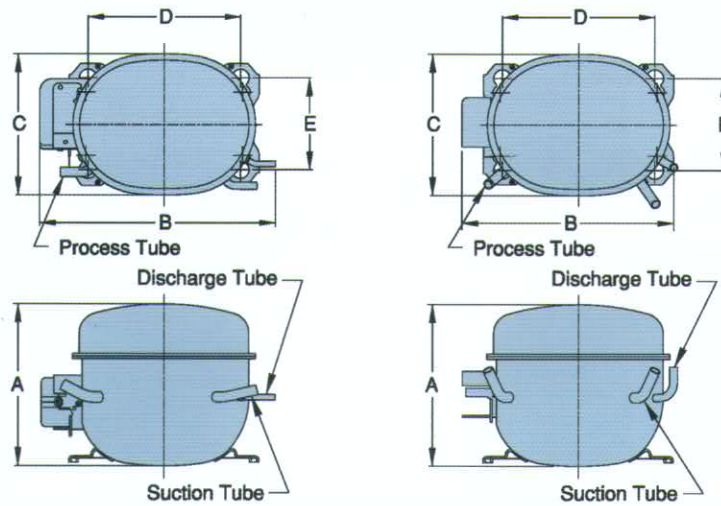
AE 5462GK-2	208-230	60	HBP	P.S.C.	14.14	7,097	2,080	970	2.14	4.5	24	No	No	15	440	214
-------------	---------	----	-----	--------	-------	-------	-------	-----	------	-----	----	----	----	----	-----	-----

AE Compressor

General Dimensions (mm.)

AE-1

AE-2



Allowable Positions For Shipping After Compressor Assembly

